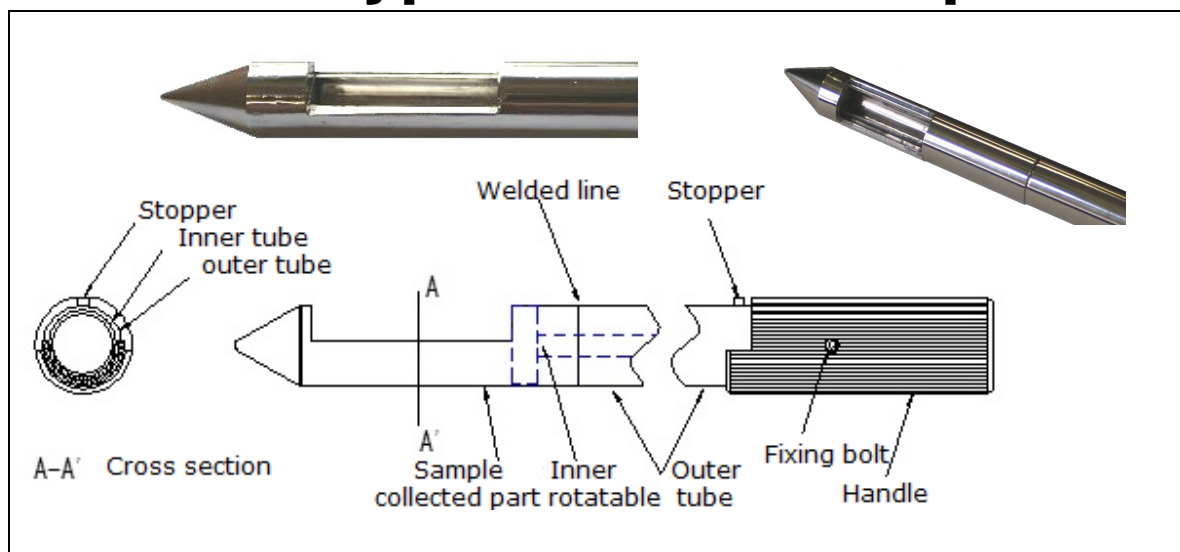




Pencil type Powder Sampler



Pencil type powder sampler made of Stainless Steel

- <1st step> It inserts in the arbitrary depth of such as a mixing vessel, a bag, a bottle, and V-blender.
<2nd step> An apical portion is rotated.
<3rd step> Then a sample is extracted.

According to customers' request, we design and manufacture this sampler with the indicated dimensions.

Moreover, we can put a scale from the apical end.
Lead time: 20 days after order (made to order)

We customize the instruments by your request.

Please advise us with:

- 1) Total length of sampler
- 2) Sample amount to be collected

Powder Consultant, designer and manufacturer

TSUTSUI SCIENTIFIC INSTRUMENTS CO. , LTD.

c/o AAAMachine, Inc. 1291 Rand Road, Des Plaines, IL 60016

Tel: 847-481-8264, Fax: 847-376-3530, E-mail: tsutsui-s700@aaamachine.com