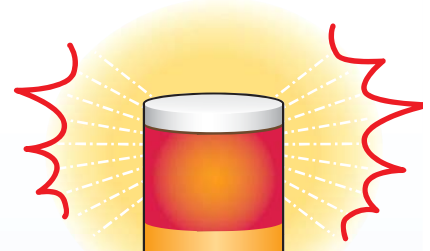


Speed Switch

RevMonitor



**Immediately tells
you an abnormality
on revolution.**



Press one button and setup is complete!



Automatically records the normal revolution speed of machine shaft

Simply press the MOD button, and the RevMonitor will automatically record the current revolution speed of your machine as the normal speed for monitoring. No need to constantly check the revolution speed of your machine.

If the speed drops below the normal speed by 5% to 10%, the RevMonitor issues an alarm or outputs a contact signal to stop the machine.

• No adjustment required

No adjustment required because the RevMonitor automatically records the current revolution speed of the machine shaft as a benchmark.

• Safe monitoring

After setting the transducer to the normal speed, the actual speed of the machinery can be monitored remotely.

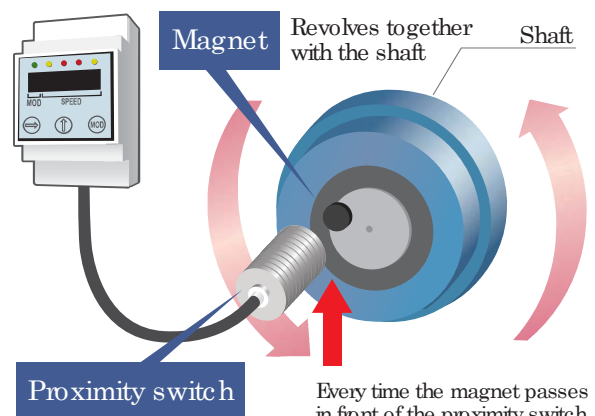
• Low maintenance

No need to worry about wear and tear caused by friction, because the speed is monitored without direct contact with machines.

Operation Principle

A magnet is mounted on the shaft of the machine and revolves with the shaft. Each time the magnet passes the proximity switch, a pulse signal is output.

The cycle of the pulse signal changes as the revolution speed changes. If the speed drops below the specified normal speed by 5% to 10%, the relay contact signal will be output.

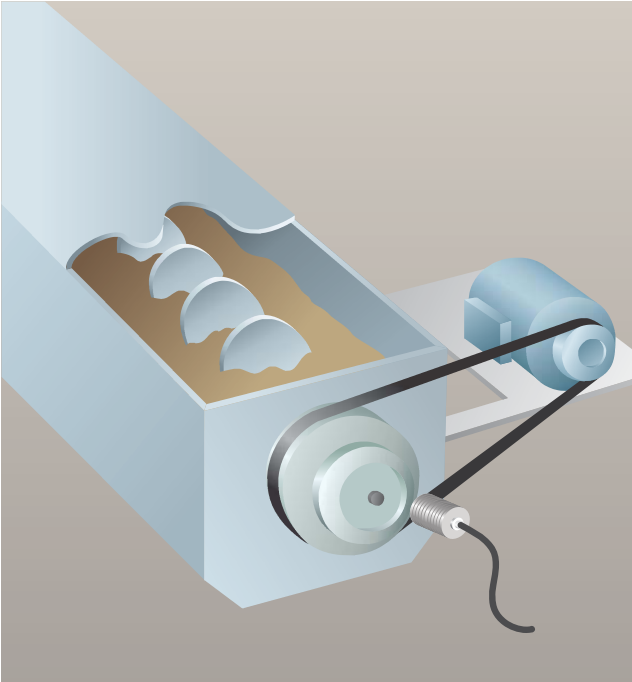


Every time the magnet passes in front of the proximity switch, a pulse signal is output.

Application Examples

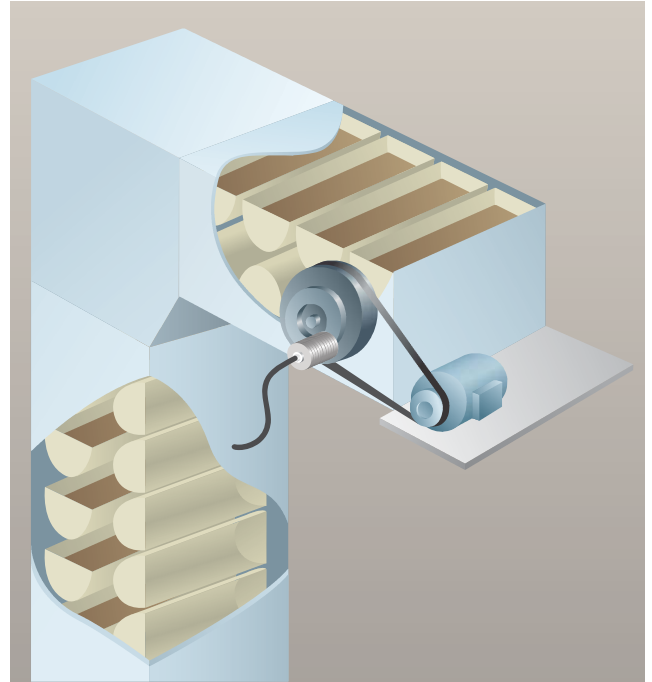
Screw feeders

For early detection of mechanical loss



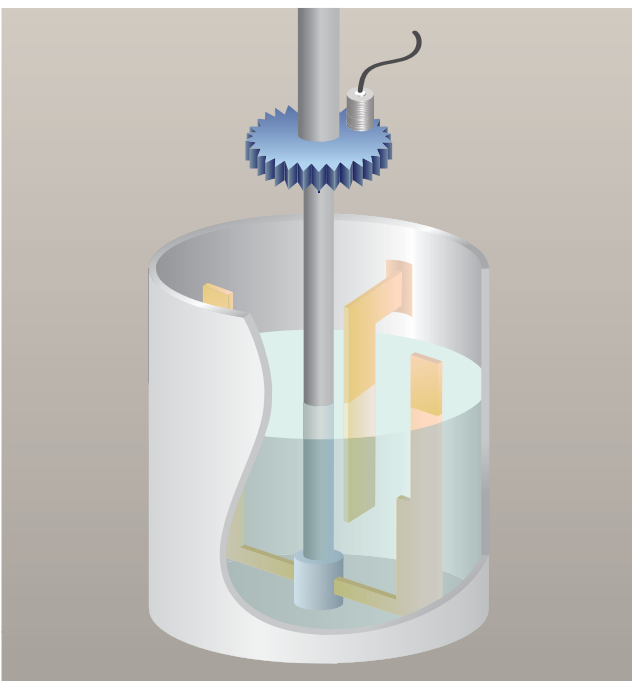
Bucket conveyors

For detection of chain break



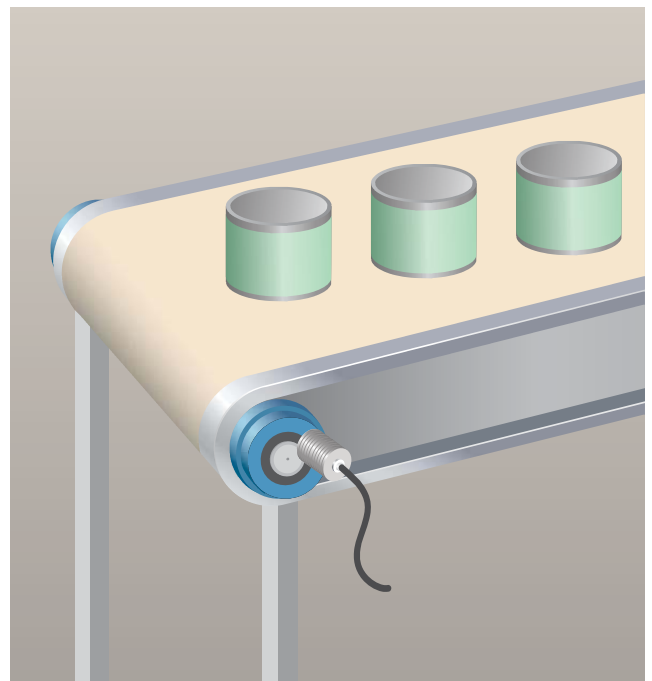
Industrial mixers

For verification of the number of revolutions



Transfer conveyors

For verification of actual conveyor speeds



● Model Designation

MHP-S

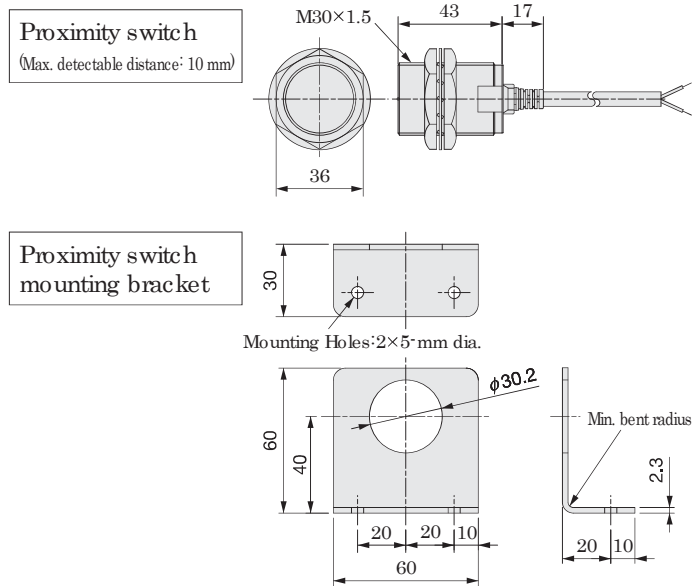
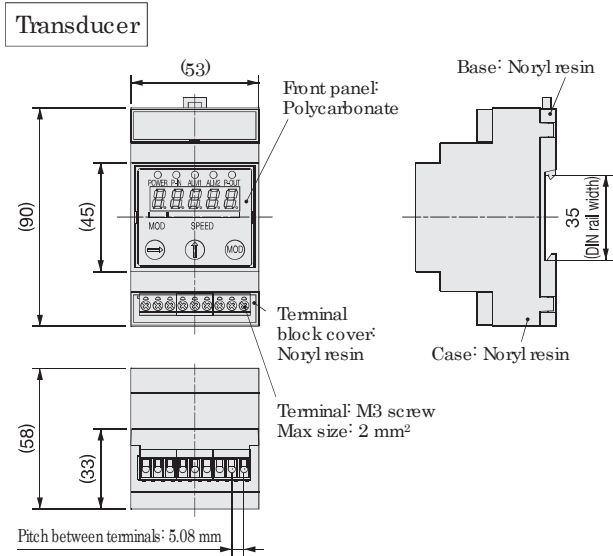
- 01 : Transducer + Proximity switch (10 mm*)
 - 02 : Transducer + Proximity switch (10 mm*) + Signal tower
 - 03 : Transducer + Proximity switch (14 mm*)
 - 04 : Transducer + Proximity switch (14 mm*) + Signal tower
 - 05 : Transducer + Signal tower
 - 06 : Transducer only
- * : Max. detectable distance

● Specifications

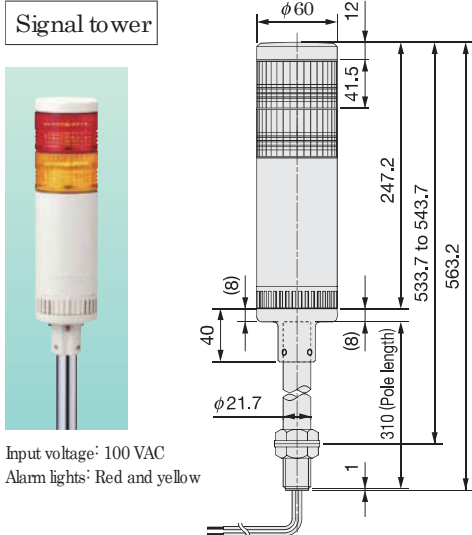
Detectable speed range	2.0 to 3,600 rpm
Detection accuracy	±1% of benchmark speed or 0.5 rpm, whichever is larger.
Max. detectable distance	10 mm/14 mm*
Timer	0 to 999 seconds
Output contacts	Normally open (N.O.) contact×2
Contact capacity	6A at 24 VDC/6A at 250 VAC
Allowable temperature	-25°C to +70°C for proximity switch, -10°C to +60°C for transducer
Power source	24 VDC ±5%, 20 to 240 VAC, 50/60 Hz
IP rating for protective structure	IP67 for proximity switch, IP20 for transducer

* : When using an M8 for the magnet.

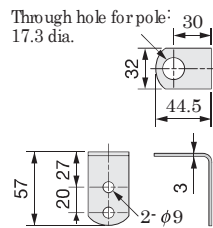
● Dimensions (mm)



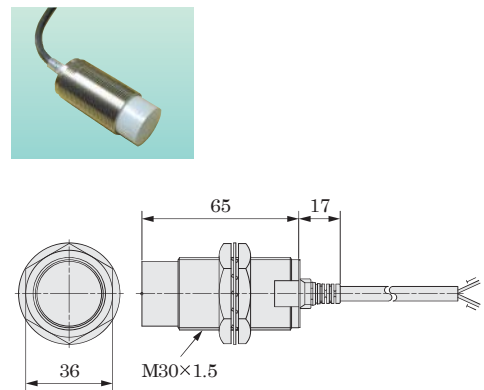
● Options



Dimensions of angle bracket for pole



Proximity switch (Max. detectable distance: 14 mm)



Caution

- Read the instructions to ensure correct and suitable application of products.
- Contact our nearest sales office when using our products for any systems used in situations which may be life threatening.

Specifications are subject to change without notice.
All Rights Reserved Copyright©2011, Matsushima Machinery Laboratory Co., Ltd.

Distributor



MATSUSHIMA Machinery Laboratory Co., Ltd.

HEAD SALES OFFICE/ FACTORY
461 Norimatsu, Yahatanishi-ku, Kitakyushu,
807-0831, Japan
Tel: 81-93-691-3731 Fax: 81-93-691-3735

TOKYO SALES OFFICE
Hohmest Funabashi Bldg., 3-36-28 Honcho,
Funabashi, Chiba, 273-0005, Japan
Tel: 81-47-424-9901 Fax: 81-47-424-9905

http://www.matsushima.co.jp E-mail: info@matsushima.co.jp

NAGOYA SALES OFFICE
Tokiwasotodoi Bldg., 9-14 Sotodochi,
Atsuta-ku, Nagoya, 456-0013, Japan
Tel: 81-52-679-6301 Fax: 81-52-679-6305

OSAKA SALES OFFICE
Daihatsu Bldg., 2-2-40 Katamachi,
Miyakojima-ku, Osaka, 534-0025, Japan
Tel: 81-6-6352-8011 Fax: 81-6-6352-8012