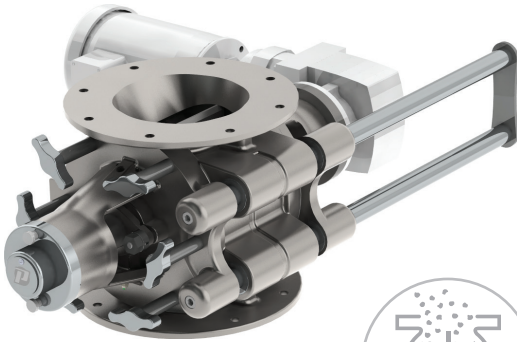




# Sanitary Rotary Airlocks

## SAV SERIES ROTARY AIRLOCK VALVES



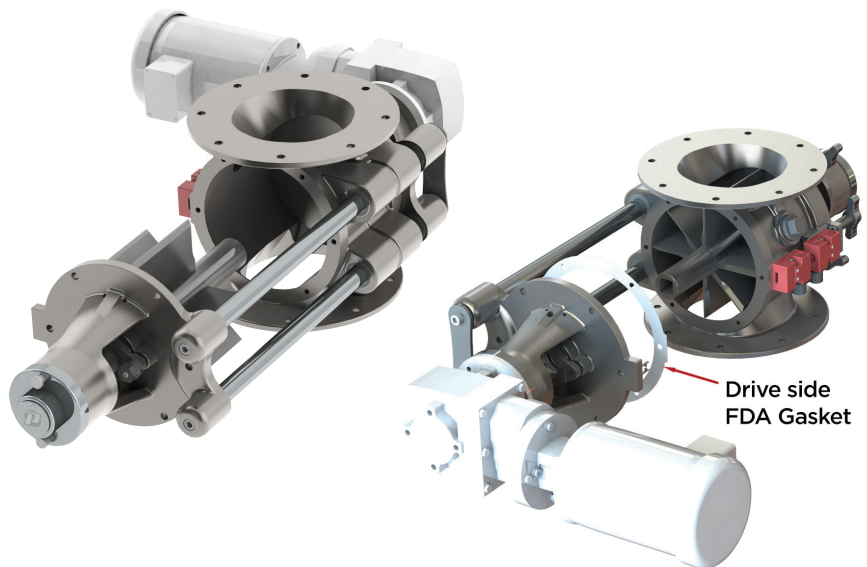
Our Sanitary Rotary Airlock is the perfect rotary valve choice for handling many dry free-flowing materials. The valve is ideally suited for use in Food, Dairy, Pharmaceutical, Chemical, Organic, Spice, Nutraceutical and Pet Food industries.

The Prater Sanitary Rotary Valve contains cutting-edge design features including a split packing gland for easy packing seal changeovers without rotor dismantling and the addition of a proprietary shaft seal Indicator, eliminating seal replacement guesswork. Additionally, the new "Dual Cleaning Zone" design provides access for drive side sanitation.

Fabricated from FDA compliant construction materials, the valve utilizes a direct shaft-mounted drive with your choice of speed and mounting configurations. Constructed from stainless steel, the valves feature easy to clean swept surfaces, assuring sanitary conformance.

### FEATURES

- Superior quality 316 Stainless Steel housing cast in North America
- No. 4 finish on rotor and internal product contact surfaces of housing optional
- Dual Cleaning Zone Access
- High pressure washdown transitions available
- Round ANSI/DIN flanges that assist with cleaning & product flow
- (2) Dual heavy duty shaft bearings on each end plate and lubricated for life
- Multiple drive configurations
- Largest open seal access area
- Packing leak detection optional
- Split packing glands optional
- Housing vent ports optional
- Eight-blade rotors standard (choice of speed)
- Standard sizes of 6, 8, 10 and 12 inches
- High quality investment cast housing eliminates pits and dimples that could harbor contaminants
- Reduced Downtime and Maintenance costs
- Easy packing gland access
- Temperatures up to 500°F
- Up to +/- 12 PSI pressure differential
- High performance construction available



Drive side  
FDA Gasket

**THE ONLY AIRLOCK  
IN NORTH AMERICA TO BE  
TESTED & CERTIFIED  
TO COMPLY WITH NFPA-69**



**PRATER**<sup>®</sup>  
AIRLOCKS • MILLS • SEPARATORS

2 Sammons Court, Bolingbrook, IL 60440  
1-877-AIRLOCK (247-5625) • [praterindustries.com](http://praterindustries.com)