

PUL BLAS EZ Jr.® (EZ Junior)

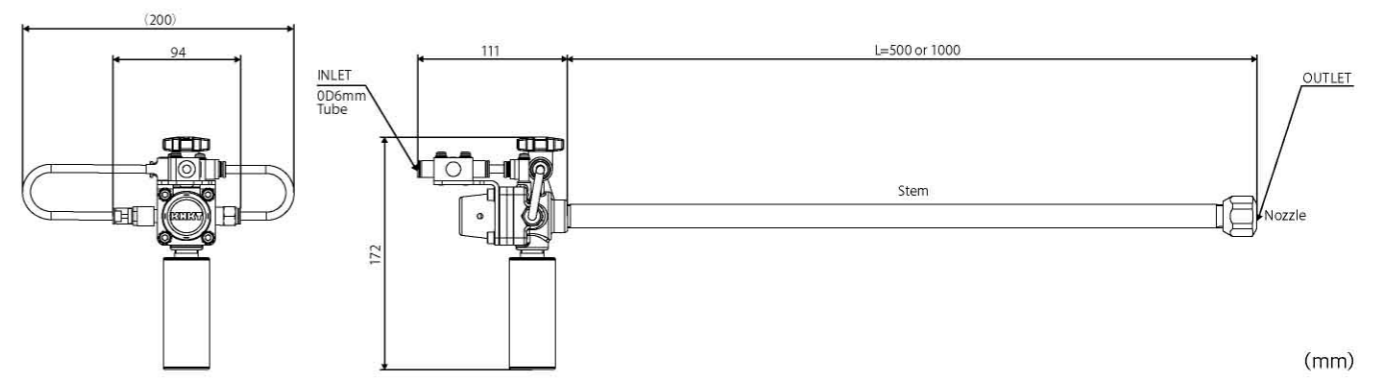


Basic Specifications

Power source: Compressed air
Supply pressure: 0.4 to 0.6 MPa
Nozzle and stem material: Stainless steel SUS304
Weight: 1.3kg (L=500mm)

Note 1: Use the product within the specified supply pressure range.
 Note 2: The operating interval should be set to 1 sec or longer per pulse.

Dimensions



Highly portable and easy-to-use bridge/rat hole breakers

Insert the nozzle into the powder contained in a hopper or storage tank from the top and inject air pulses to any clogged powder. This will make the powder flow easily, eliminating clogging. Ideal for small hoppers.

Features

- Compact and light-weight**
 - Can easily be carried to the hopper location.
 - No need to drill a hole in the hopper wall for installation.
 - Ideal for movable hoppers.
- Air pulser mechanism**
 - The powerful air pulses injected from the nozzle eliminate powder clogging.
- Driven only by compressed air**
 - No electrical devices such as solenoid valves or timers are needed to drive the machine.
 - The air pulse interval can be adjusted with a speed controller.
- Air selector valve**
 - Operating the valve allows the air type to be selected between steady flow and pulsation. Can be used for various purposes including cleaning the inside of tanks.

Product code

Product code	Product name
EZJ050A1E0	PUL BLAS EZ Jr.®, 500mm
EZJ100A1E0	PUL BLAS EZ Jr.®, 1000mm

Note 1: Handle with care and do not point the tip of the nozzle toward a person during operation.
 Note 2: Wear personal powder protection equipment including safety goggles during work.

Installation example

