

Best solution for granular and bulk solid

MPSW Series

Excellent reliability with reasonable price

Reliable principle with simple, lightweight and robust construction.
Easy maintenance.

Features

- Probe length Max. 750mm
- Contact output: SPDT × 1, 250VAC
- Low power consumption (3.0W)

Applications

- Clinker silo
- Coal/coke silo
- Gravel/sand silo
- Wheat/malt silo
- Resin pellet silo
- RDF silo
- Wood tip silo
- Dust hopper
- Ore silo
- Aggregate bin

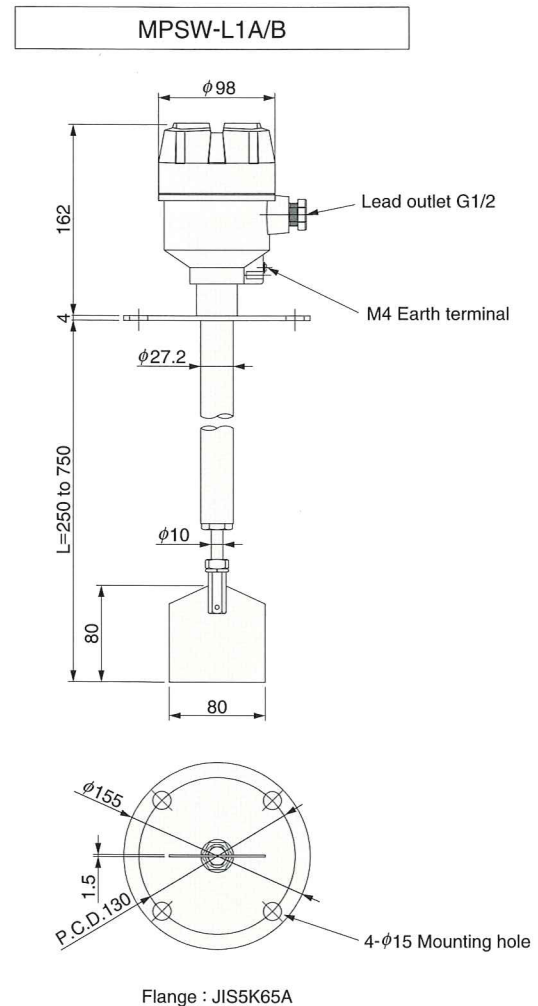
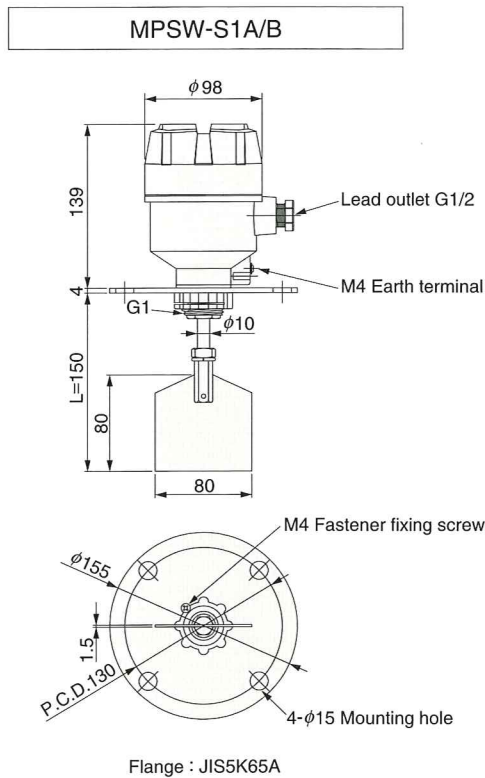


● Specifications

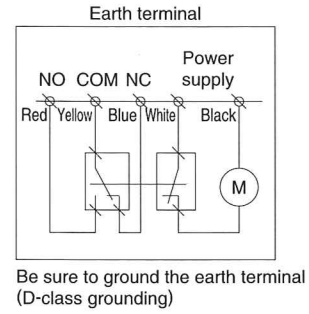
Model	MPSW-S1A/B	MPSW-L1A/B
Probe length(L length)	150mm	250 to 750mm
Power source	110VAC/220VAC ±10%* 50/60Hz	
Power consumption	3.0W	
Contact output	SPDT×1 250VAC 5A(Resistance load)	
Detecting torque	11.8 to 16.7N·cm	
Mounting	JIS5K65A Flange	
Process temperature	-10 to +70°C	
Ambient temperature	-10 to +55°C	
Enclosure	IP65	
Painting color	MUNSELL 7.5GY 6/10	
Mass	1.9kg	2.2 to 2.8kg

* : MPSW-□□A=110VAC, MPSW-□□B=220VAC

● Dimension mm



● Connection diagram



Specifications are subject to change without notice.
All Rights Reserved Copyright © 2010, Matsushima Machinery Laboratory Co.,Ltd.

Distributor



MATSUSHIMA Machinery Laboratory Co.,Ltd.

HEAD SALES OFFICE / FACTORY
461 Norimatsu, Yahatanishi-ku, Kitakyushu,
807-0831, Japan
Tel: 81-93-691-3731 Fax: 81-93-691-3735

TOKYO SALES OFFICE
Hohmest Funabashi Bldg., 3-36-28 Honcho,
Funabashi, Chiba, 273-0005, Japan
Tel: 81-47-424-9901 Fax: 81-47-424-9905

<http://www.matusima.co.jp> E-mail: info@matusima.co.jp

NAGOYA SALES OFFICE
Tokiwasotodoi Bldg., 9-14 Sotodoicho,
Atsuta-ku, Nagoya, 456-0013, Japan
Tel: 81-52-679-6301 Fax: 81-52-679-6305

OSAKA SALES OFFICE
Daihatsu Bldg., 2-2-40 Katamachi,
Miyakojima-ku, Osaka, 534-0025, Japan
Tel: 81-6-6352-8011 Fax: 81-6-6352-8012



Caution
● Read the instructions to ensure correct and suitable application of products.
● Contact our nearest sales office when using our products for any systems used in situations which may be life threatening.