

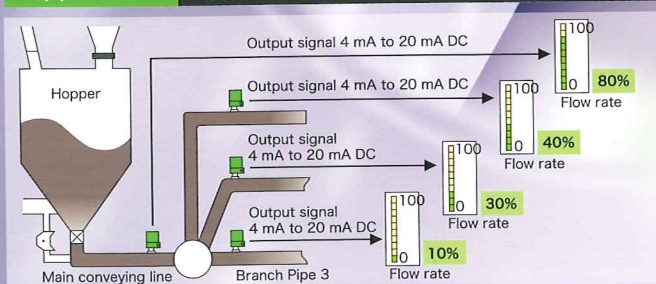
MICROWAVE FLOW MONITOR

Relative Monitoring Type Powder Flow Sensor

Monitors relative flow rate inside a multi-branched piping system

Monitoring and controlling the balance of flow rates inside powder transporting pipes that branch from the main line are an important issue in plant operations. Conventionally, however, online monitoring of the flow rate has been extremely difficult and expensive. When mounted on each branch pipe with the same settings applied to all units, the Microwave Flow Monitor can inexpensively monitor the flow rate of all the branch pipes.

Application Monitoring for Pneumatic Conveyance Pipe System



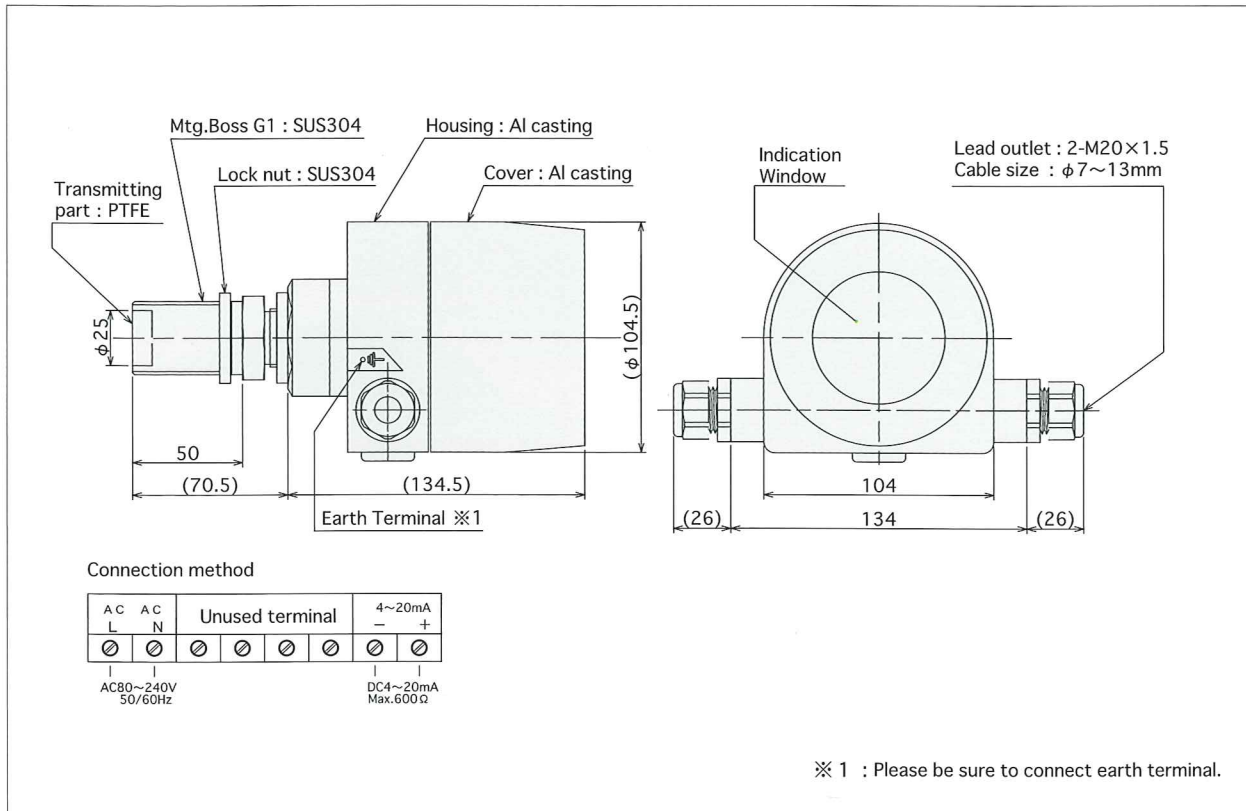
- /// With use of multiple units, flow rate monitoring is possible for individual pipes.
- /// Since individual flows are monitored, it is possible to monitor the rate even with dozens of branch pipes.
- /// The use of microwave technology enables no projections inside the pipes.
- /// High accuracy assured as the density level and flow rates are detected by microwave.
- /// Applicable for pipe diameters up to 200 mm.
- /// Easily mounted with a one-inch screw, even on existing pipes.



■ Specifications

Model	MWFM-AN-01	Power supply	80 VAC to 240 VAC at 50/60Hz
Detection Method	Outputs powder flow rate detected by using microwaves based on the Doppler effect.	Allowable temperature	-20°C~80°C(measuring objects)
Frequency	24GHz	Ambient temperature	-10°C to 55°C
Oscillation power	Approx. 6.6 mW or less	Allowable pressure	Max.0.5MPa
Relative rate accuracy (Repeatability)	± 5%(with stable powder property)	Protection	IP65
Output	Current output 4mA to 20mADC (optional setting possible) Max. load resistance 600 Ω At fault, Analog output drops to 0mA	Mass	Approx.1.8kg
		Mounting	G1 screw

■ Dimensions (in mm) and Terminal Connections



Specifications are subject to change without notice.
All Rights Reserved Copyright ©2010, Matsushima Machinery Laboratory Co., Ltd.

CAUTION

- For proper and safety use of the product, read thoroughly the instruction manual before using.
- Consult with our representatives where there is a possibility to apply the product to such system that requires safety directly relating to human body.

MATSUSHIMA MACHINERY LABORATORY CO., LTD.



HEAD SALES OFFICE / FACTORY
461 Norimatsu, Yahatanishi-ku, Kitakyushu, 807-0831, Japan
Tel: 81-93-691-3731 Fax: 81-93-691-3735

TOKYO SALES OFFICE
Hohmest Funabashi Bldg., 3-36-28 Honcho, Funabashi, Chiba, 273-0005, Japan
Tel: 81-47-424-9901 Fax: 81-47-424-9905

NAGOYA SALES OFFICE
Tokiwasotodoi Bldg., 9-14 Sotodoicho, Atsuta-ku, Nagoya, 456-0013, Japan
Tel: 81-52-679-6301 Fax: 81-52-679-6305

OSAKA SALES OFFICE
Daihatsu Bldg., 2-2-40 Katamachi, Mlyakojima-ku, Osaka, 534-0025, Japan
Tel: 81-6-6352-8011 Fax: 81-6-6352-8012
http://www.matusima.co.jp E-mail: info@matusima.co.jp