

From fine powder up to bulk solid

MCSW Series

Wide variety of applications

Easy maintenance, lightweight and robust construction.



Features

- Probe electrode, wire-extension type and high temperature type available.
- Contact output: SPDT × 1, 250VAC
- Low power consumption (2.0W)

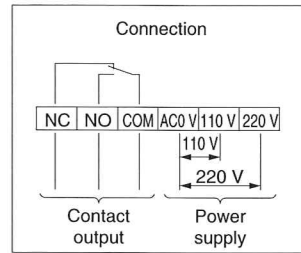
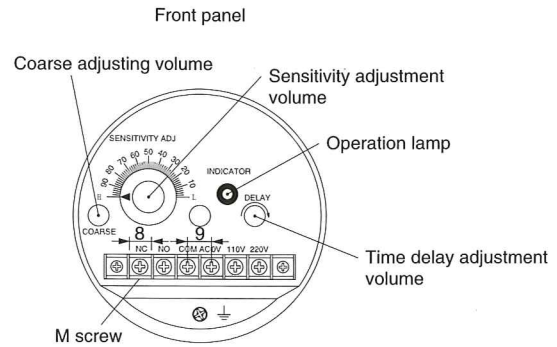
Applications

- Pulverized coal silo
- Cement silo
- Wood tip silo
- Wheat/malt silo
- Fertilizer/Feed grains silo
- RDF silo
- Resin pellet silo
- Asphalt mixture silo

● Specifications

Model	MCSW-S1	MCSW-H1	MCSW-W1
Probe length(L length)	275mm	275mm	525 to 5000mm
Power source	110/220VAC ±10% 50/60Hz		
Power consumption	2.0W		
Contact output	SPDT×1 250VAC 5A, 30VDC 5A(Resistance load)		
Mounting	R1 screw		
Process temperature	-10 to +80°C	-10 to +200°C	-10 to +80°C
Ambient temperature	-10 to +60°C		
Process pressure	1.96MPa		
Enclosure	IP65		
Painting color	MUNSELL 7.5GY 6/10		
Mass	1.6kg	2.1kg	2.4 to 4.1kg

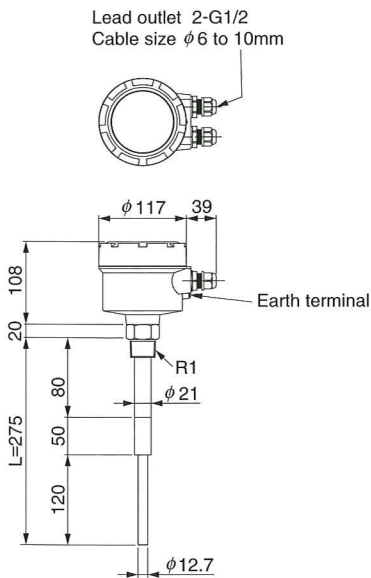
● Connection diagram



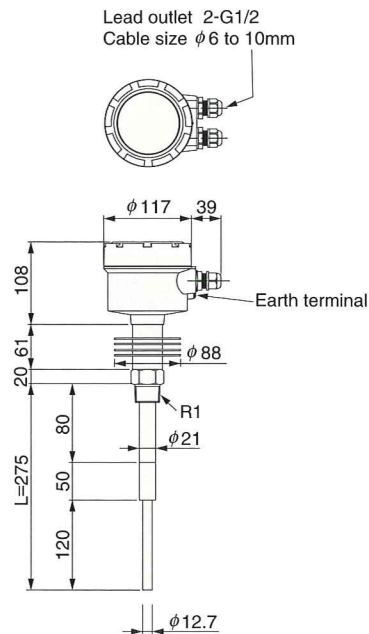
Be sure to ground the earth terminal.
(D-class grounding)

● Dimension mm

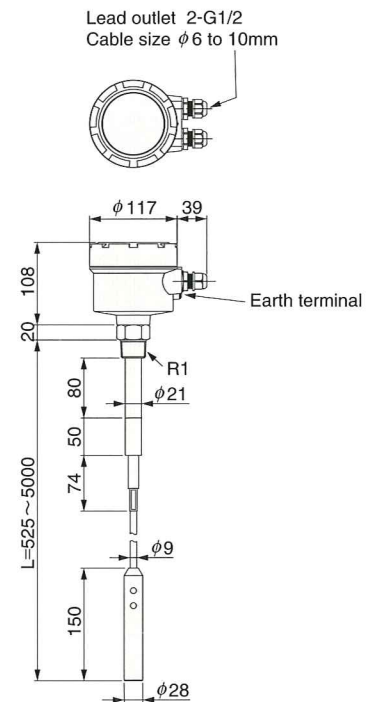
MCSW-S1



MCSW-H1



MCSW-W1



Specifications are subject to change without notice.
All Rights Reserved Copyright © 2010, Matsushima Machinery Laboratory Co., Ltd.



Caution
● Read the instructions to ensure correct and suitable application of products.
● Contact our nearest sales office when using our products for any systems used in situations which may be life threatening.

Distributor



MATSUSHIMA Machinery Laboratory Co., Ltd.

HEAD SALES OFFICE / FACTORY
461 Norimatsu, Yahatanishi-ku, Kitakyushu,
807-0831, Japan
Tel: 81-93-691-3731 Fax: 81-93-691-3735

TOKYO SALES OFFICE
Hohmest Funabashi Bldg., 3-36-28 Honcho,
Funabashi, Chiba, 273-0005, Japan
Tel: 81-47-424-9901 Fax: 81-47-424-9905

http://www.matusima.co.jp E-mail: info@matusima.co.jp

NAGOYA SALES OFFICE
Tokiwasotodoi Bldg., 9-14 Sotodoicho,
Atsuta-ku, Nagoya, 456-0013, Japan
Tel: 81-52-679-6301 Fax: 81-52-679-6305

OSAKA SALES OFFICE
Daihatsu Bldg., 2-2-40 Katamachi,
Miyakojima-ku, Osaka, 534-0025, Japan
Tel: 81-6-6352-8011 Fax: 81-6-6352-8012